

# ZPi-IO08R Hardware Overview

4DI / 4DO Programmable Relay I/O Board · Raspberry Pi Zero 2 W included

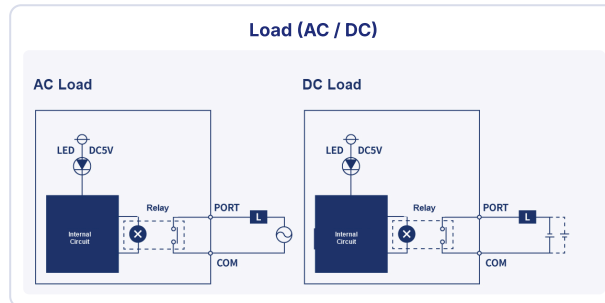
datasheet · page 01

## Rating / Performance

Model	ZPi-IO08R
Input Power Voltage	DC 24 V (universal, DC 12 V – 24 V)
Application CPU	RP2040
Digital Input Port	4 Point
Digital Output Port	4 Point
D/I Voltage · Current	DC 9 V – 24 V / ≤ 10 mA
D/O Voltage · Current	0–250 VAC / 5 A, 0–30 VDC / 5 A
Network Port	WIZnet W5500 (Ethernet)
Serial Port	RS-485
Display	128 × 64 I <sup>2</sup> C OLED
Operating Temperature	-10 °C ~ +50 °C
Operating Humidity	10 % ~ 95 % RH (non-condensing)
Size & Weight	77 × 85.2 × 34.8 mm

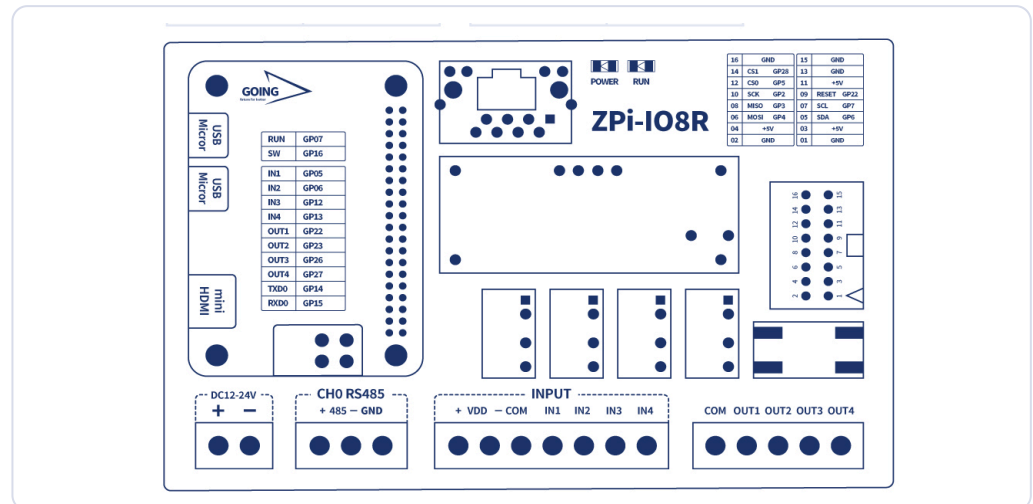
## Output Circuit Configuration

Item	Spec
Rated load voltage	AC (DC) 0 – 250
Max. load current	AC ≤ 5 A
Output isolation	Photo-coupler
Response time	10 ms
Output type	Relay contact
Status indicator	Red LED



## Product PIN Assignment

OUTPUT		INPUT		RS-485	
OUT 1	GPIO_15	IN 1	GPIO_29	TX1	GPIO_8
OUT 2	GPIO_16	IN 2	GPIO_31	RX1	GPIO_9
OUT 3	GPIO_37	IN 3	GPIO_32		
OUT 4	GPIO_13	IN 4	GPIO_33		



## Input Circuit Configuration

Item	Spec
Rated input voltage	DC 9 V – 24 V
Max. input current	≤ 10 mA
Power per port	1.5 W (single port)
Isolation method	Photo-coupler
Common type	± bidirectional, non-polarized
Status indicator	Green LED

